

# CITY OF YUCAIPA



## **Design Standard Plans FOR Public Works Construction AND Development Guidelines**

**INTRODUCTION**

City of Yucaipa Design Standard Plans is a compilation of design guidelines, specifications, and standard drawings necessary for use in construction of public works improvements, and a guideline for developer site grading and drainage within the City of Yucaipa.

The purpose of this manual is to assist Homeowners, Developers, Builders, Engineers, and Architects by providing information regarding the standard drawings, specifications, design procedures and requirements, checklists, and other information applicable to construction of public works projects and private developments within the City of Yucaipa. Should any portion of these Standard Plans be found to be in conflict with the provisions of the City of Yucaipa Development Codes, the provision of the referenced Codes shall govern.

Recommended for Approval By:

FRECIADO

7/30/08  
Date

Approved By:  
City of Yucaipa

Raymond A. Casey  
Raymond A. Casey, P.E.  
City Engineer / Director of Public Works

7/30/08  
Date

# Section 200

## Sewer and Water

- 200-0 GENERAL UTILITY NOTES
- 220-0 UNDERGROUND STORM DRAIN CULVERT AND UTILITY CROSSING MARKERS

**GENERAL NOTES:**

1. FOR SEWER AND WATER FACILITY IMPROVEMENTS WITHIN THE CITY OF YUCAIPA SPHERE OF INFLUENCE, SEE THE APPROPRIATE UTILITY COMPANY STANDARDS AND SPECIFICATIONS.
2. FOR GENERAL INFORMATION AND WHEN APPLICABLE SEWER AND/OR WATER UTILITY COMPANY STANDARDS AND SPECIFICATIONS DO NOT EXIST, THE YUCAIPA VALLEY WATER DISTRICT STANDARDS AND SPECIFICATIONS SHALL APPLY FOR ANY SEWER AND WATER FACILITY IMPROVEMENTS WITHIN THE CITY OF YUCAIPA SPHERE OF INFLUENCE.
3. SEE CITY OF YUCAIPA STANDARD DRAWING 106-0 FOR TRENCH REPAIR REQUIREMENTS FOR ALL UTILITIES INSTALLED WITHIN THE CITY MAINTAINED PUBLIC STREET IMPROVEMENTS.

**GENERAL UTILITY NOTES**

Revisions		CITY OF YUCAIPA, CALIFORNIA	
Mark Date	Descriptions	Department of Public Works	Engineering Division
		Recommended: <u><i>D. Todd Schmidt</i></u> Date: <u>9-26-00</u>	STANDARD DRAWINGS <b>200-0</b>
Drawn By:		Approved: <u><i>Paul T. Hagenkast</i></u> City Engineer Date: <u>10-23-00</u>	

CHAMFER ALL CORNERS, 1"±  
WHITE ENAMEL  
14 GAGE TARGET  
PLATE

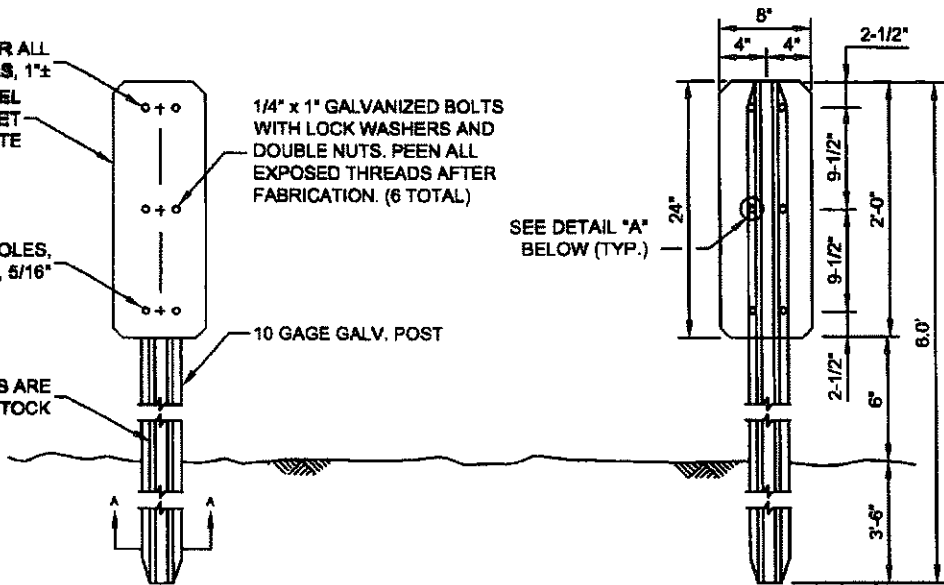
1/4" x 1" GALVANIZED BOLTS  
WITH LOCK WASHERS AND  
DOUBLE NUTS. PEEN ALL  
EXPOSED THREADS AFTER  
FABRICATION. (6 TOTAL)

6 PUNCHED HOLES,  
FINISHED DIA., 5/16"

POSTS ARE  
IN STOCK

10 GAGE GALV. POST

SEE DETAIL "A"  
BELOW (TYP.)



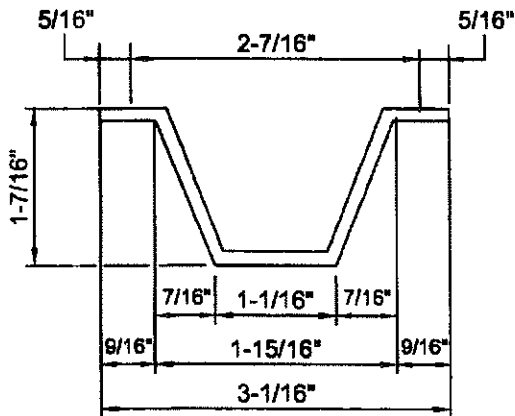
**NOTES: INFORMATION REQUIRED ON PLATE**

**FOR UTILITY CROSSINGS:**

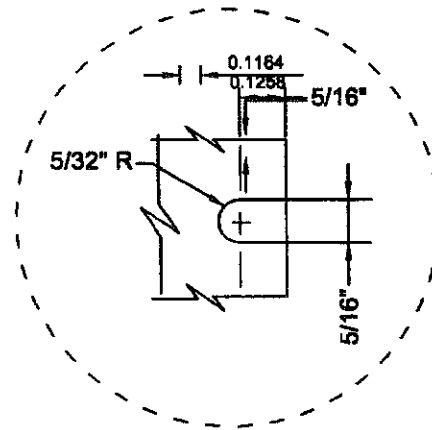
1. NAME OF OWNER.
2. TELEPHONE NO.
3. TYPE OF INSTALLATION WITH APPROPRIATE SIGN.
4. DEPTH OF INSTALLATION FROM TOP OF MARKER.

**FOR CITY OF YUCAIPA STORM DRAIN CULVERT**

1. CITY OF YUCAIPA
2. 909-797-2488
3. X (TYPE) OF STORM DRAIN
4. DEPTH OF COVER TO TOP OF PIPE



**SECTION A-A**



**DETAIL "A"**

**UNDERGROUND STORM DRAIN CULVERT AND UTILITY CROSSING MARKERS**

Revisions		CITY OF YUCAIPA, CALIFORNIA	
Mark Date	Descriptions	Department of Public Works	Engineering Division
		Recommended: <i>D. Paul Schmieder</i>	Date: <u>9-26-00</u>
		Approved: <i>Paul T. Nagengast</i>	Date: <u>10-23-00</u>
Drawn By:		City Engineer	STANDARD DRAWINGS
			<b>220-0</b>